

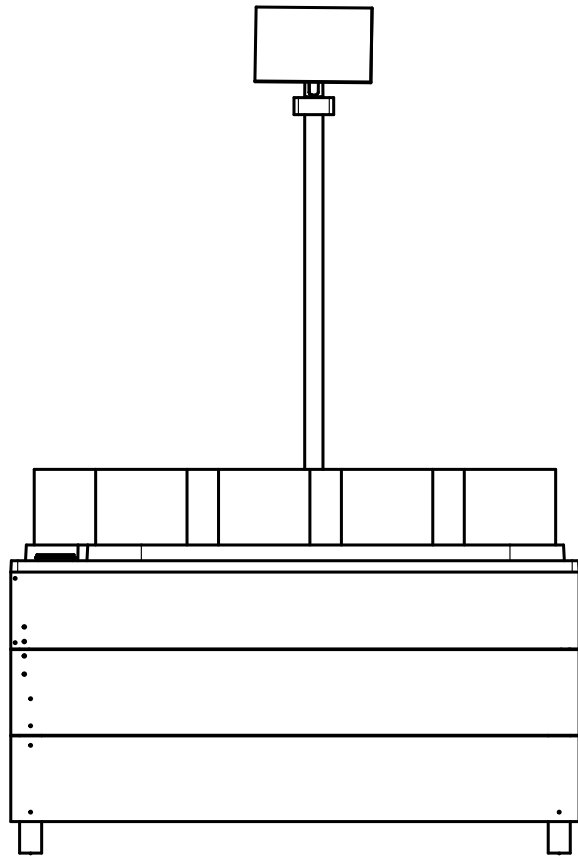
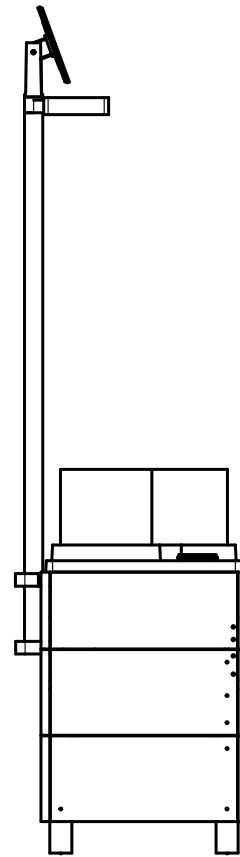


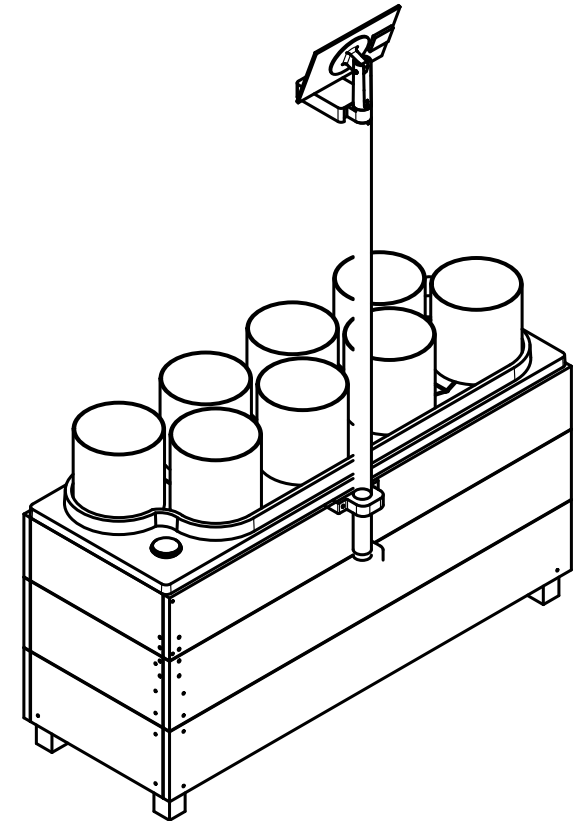
UNLESS OTHERWISE SPECIFIED, DIMENSIONS ARE IN MILLIMETERS ANGULAR = ± ° SURFACE FINISH  DO NOT SCALE DRAWING BREAK ALL SHARP EDGES AND REMOVE BURRS FIRST ANGLE PROJECTION 		NAME	SIGNATURE	DATE	TITLE <h2 style="text-align: center;">GrowBot Garden</h2>	
	DRAWN	JAMES BRAKE		2021-02-17		
	CHECKED					
	APPROVED					
	MATERIAL	FINISH		SIZE	DWG NO.	REV.
				A4		
				SCALE	WEIGHT	SHEET
				1:100		1 of 2



1:12



1:12



1:12