

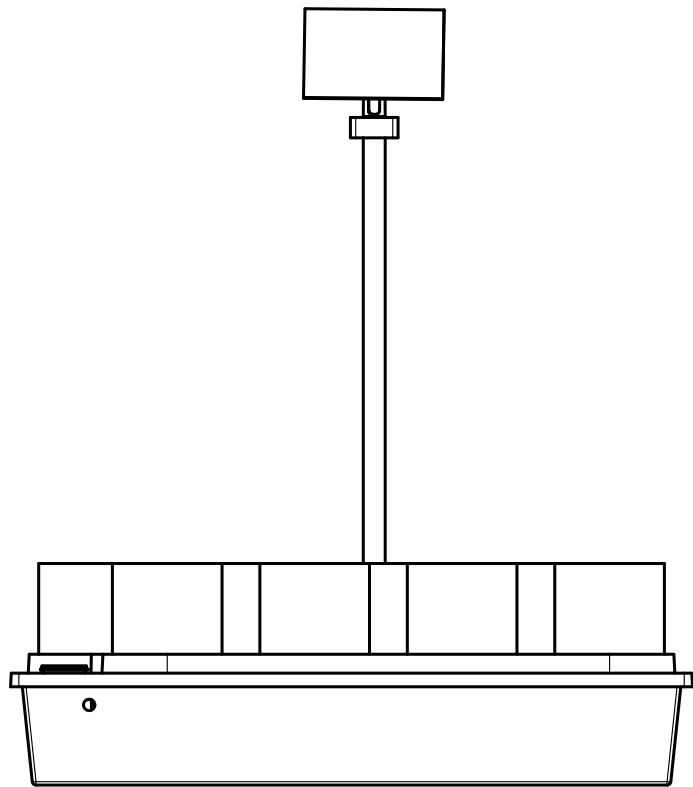
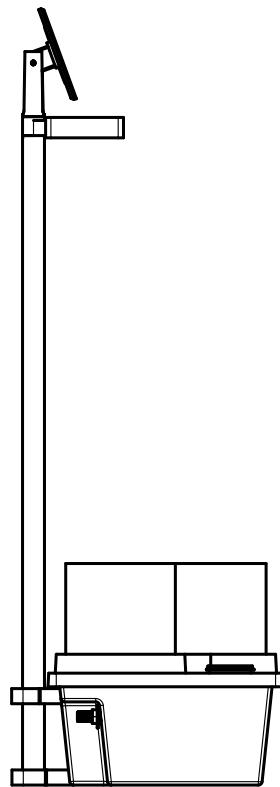


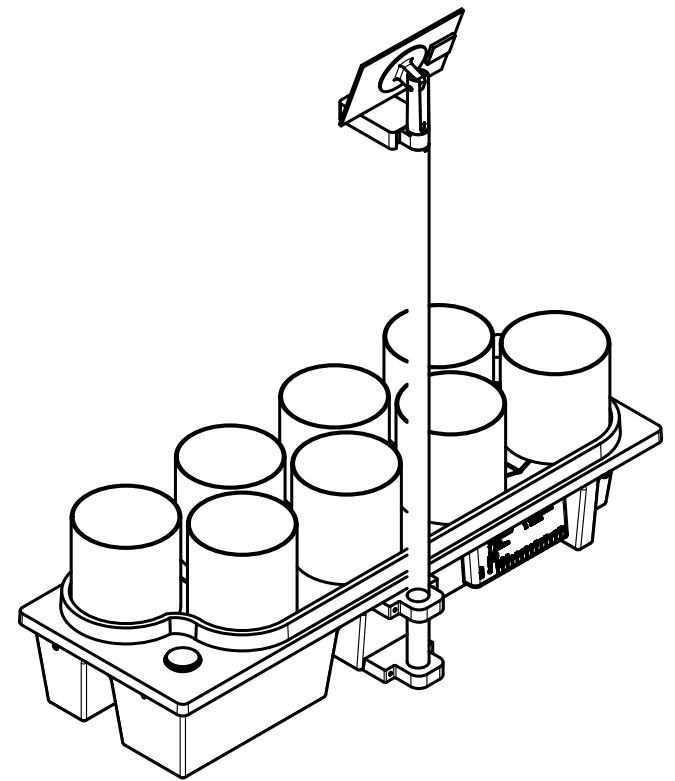
UNLESS OTHERWISE SPECIFIED, DIMENSIONS ARE IN MILLIMETERS ANGULAR = ± ° SURFACE FINISH  DO NOT SCALE DRAWING BREAK ALL SHARP EDGES AND REMOVE BURRS FIRST ANGLE PROJECTION 	DRAWN	NAME JAMES BRAKE	SIGNATURE	DATE 2021-02-16	TITLE
	CHECKED				
	APPROVED				
	MATERIAL	FINISH		SIZE A4	DWG NO.
				SCALE 1:100	WEIGHT
					SHEET 1 of 2



1:10



1:10



1:10